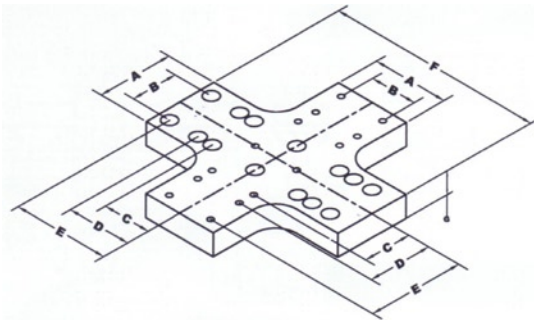


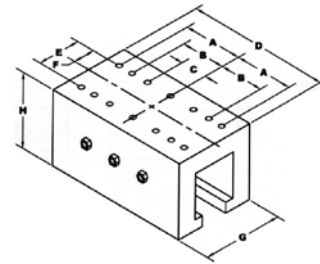
**90 Degree Turning Plate**



	Weight	A	B	C	D	E	F	G	H
90° turning plate	272 kg	30.5 cm	20.3 cm	21 cm	28 cm	42 cm	94 cm	30.4 cm	40.6 cm

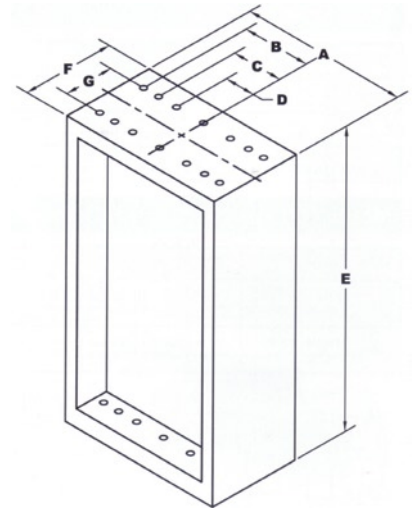
**Caisson Beam to Attachment Adapter**

Weight	A	B	C	D	E	F
680 kg	280 mm	210 mm	127 mm	940 mm	203 mm	101 mm



**Extensions**

Model	Weight	A	B	C	D	E	F	G
1,25 meter extension	1.134 kg	101 mm	940 mm	209 mm	127 mm	1219 mm	305 mm	203 mm
2,5 meter extension	1814 kg	101 mm	940 mm	209 mm	127 mm	2438 mm	305 mm	203 mm



**Caisson to Sheet Pile Clamp Adapter**

